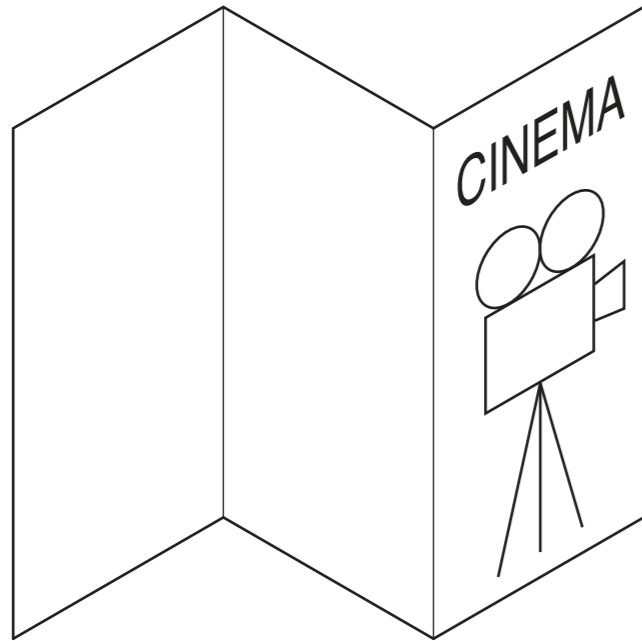


Section A

Answer **all** questions in this section.

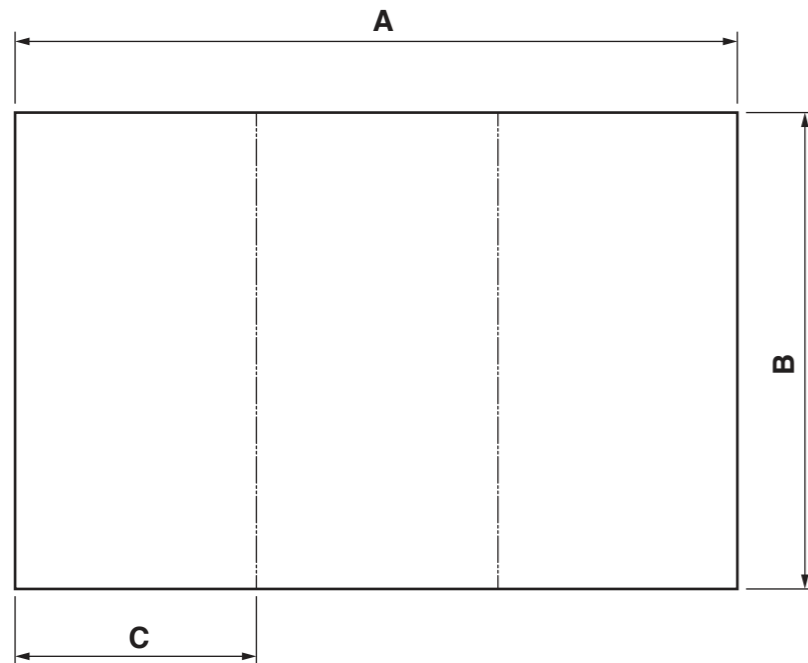
A1 A cinema leaflet is shown below.



Standard card sizes	
A2	594 x 420
A3	420 x 297
A4	297 x 210

The leaflet is made from a folded piece of standard size A4 card.

The unfolded A4 card is shown below.



(a) Complete the dimensions in the table below.

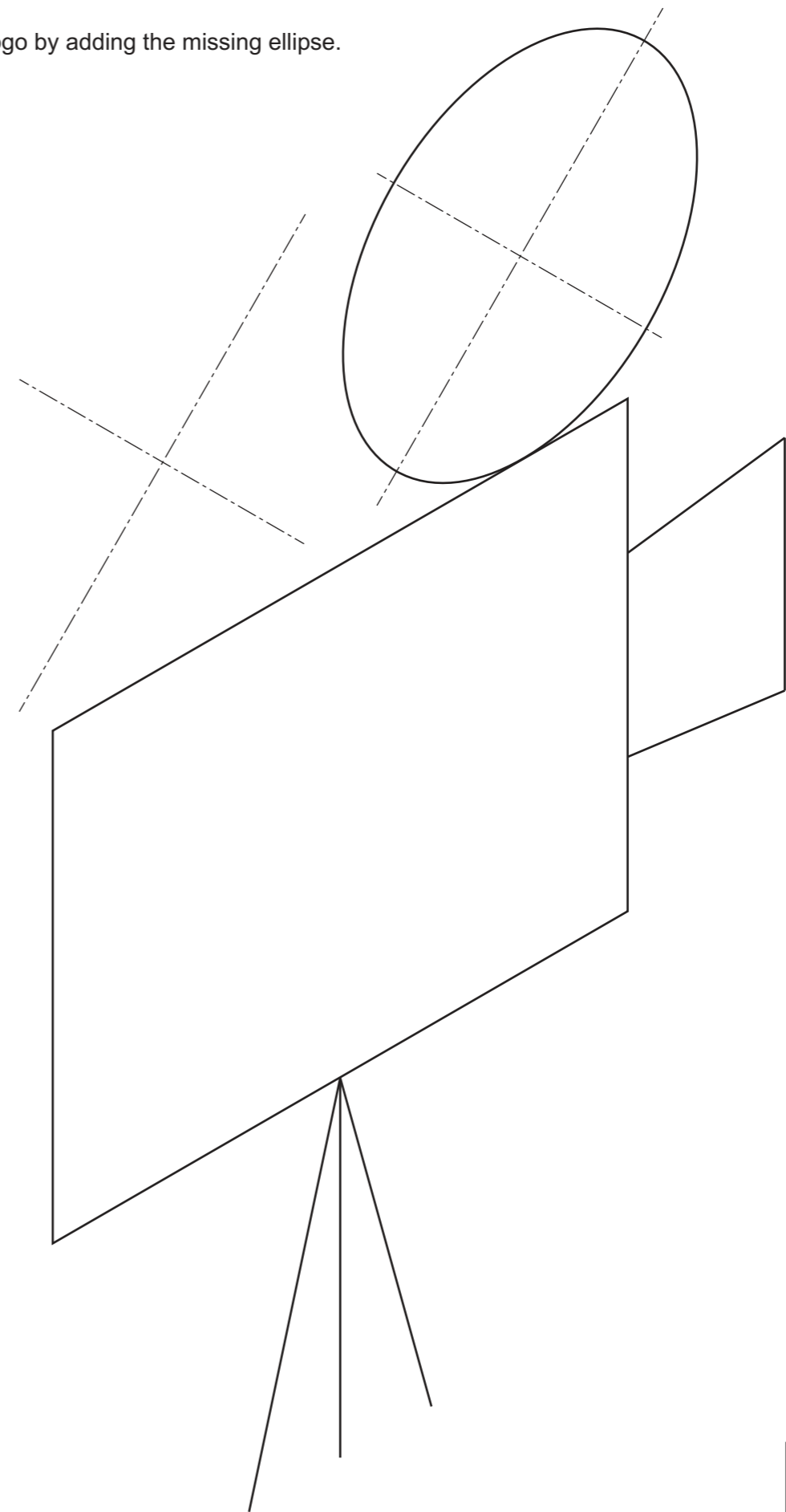
Dimension A	Dimension B	Dimension C

[3]

(b) Part of the logo on the front cover of the cinema leaflet is shown below.

Complete the logo by adding the missing ellipse.

[7]

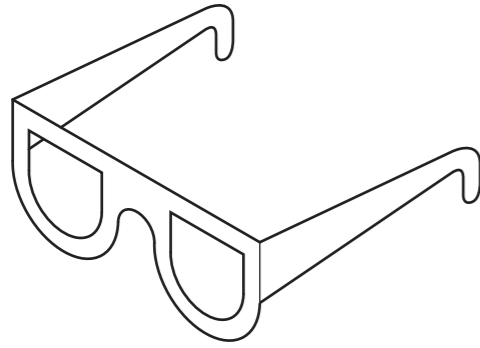


For
Examiner's
use

0445/22 May/June 2018 **1 hour**
© UCLES 2018 DC (KN/SW) 146124/2

Centre Number Candidate Number Candidate Surname Other Names **[Turn over**

A2 A pair of 3D cinema spectacles are shown below.



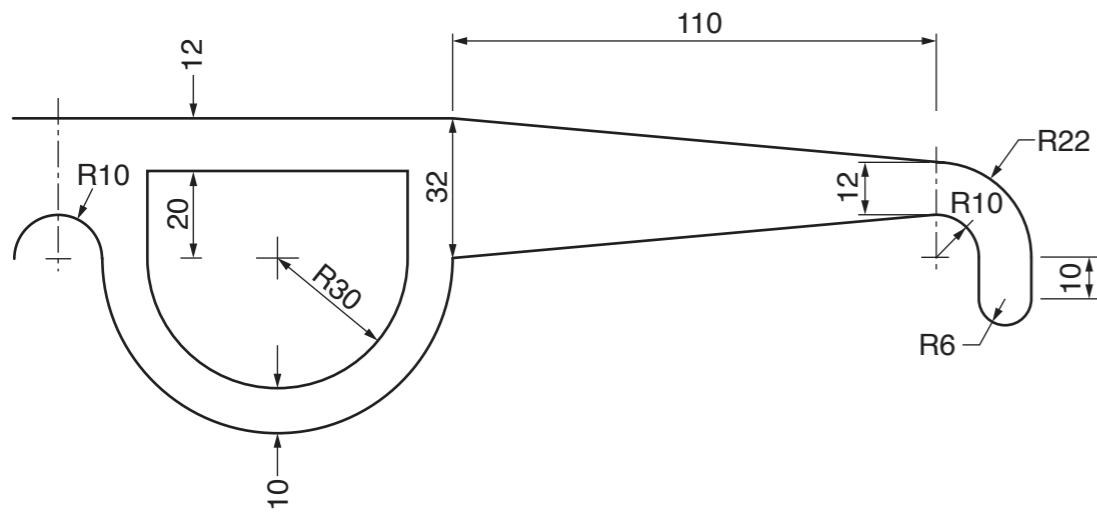
(b) In the space below complete the full size drawing of one half of the spectacles.

[11]



The 3D spectacles are made from one piece of thin card.

One half of the net for the spectacles is shown below.



A3 In the space below show a method of making the two arms adjustable to fit a range of different head sizes.

The method should **not** require the use of glue.

[2]

(a) State **two** pieces of anthropometric data used in the design of the 3D spectacles.

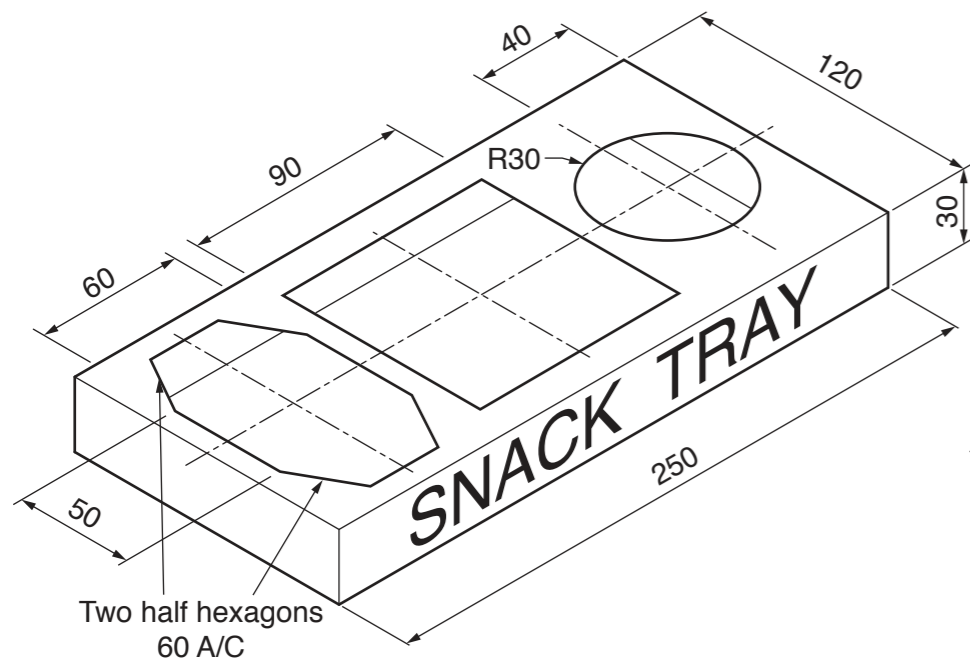
- 1
-
- 2
-

[2]

Section B

Answer **either** question **B4** or **B5**.

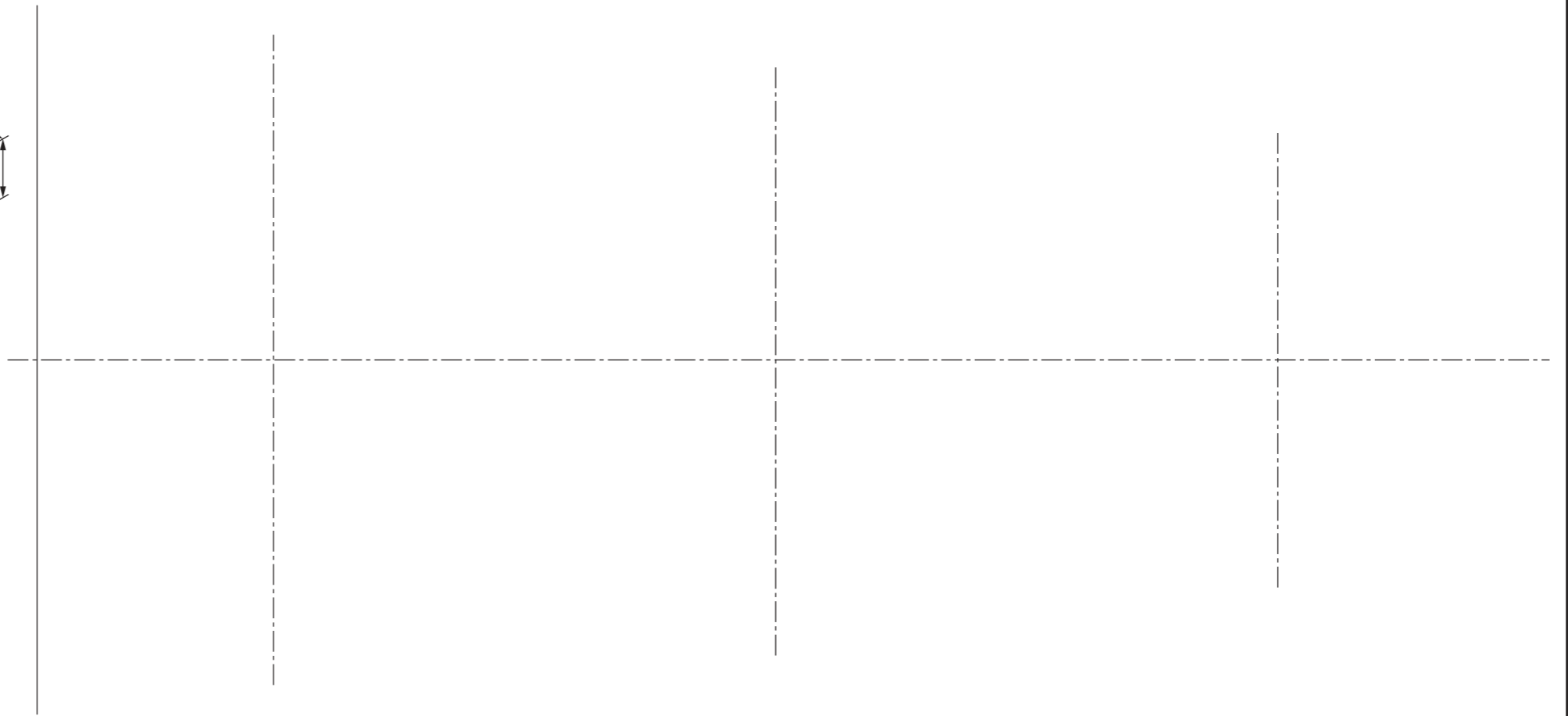
B4 A cinema snack tray is shown below. The snack tray is made from thin card.



Two half hexagons
60 A/C

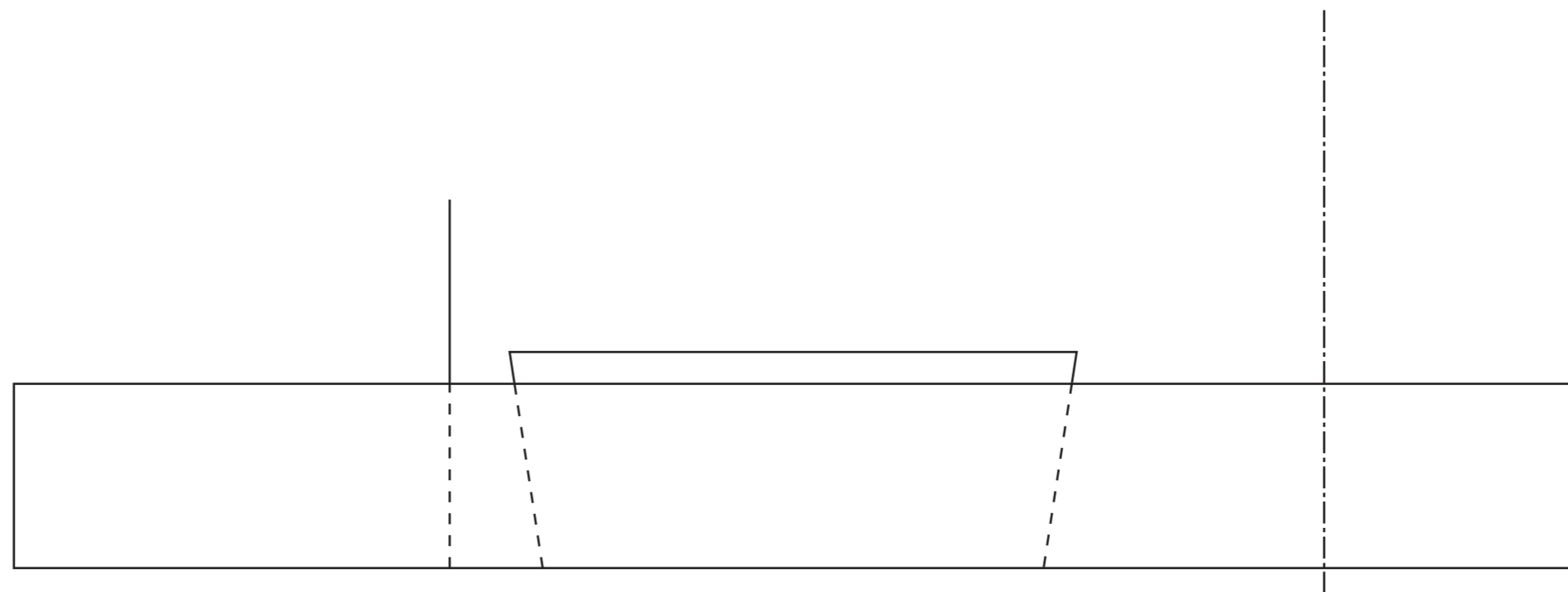
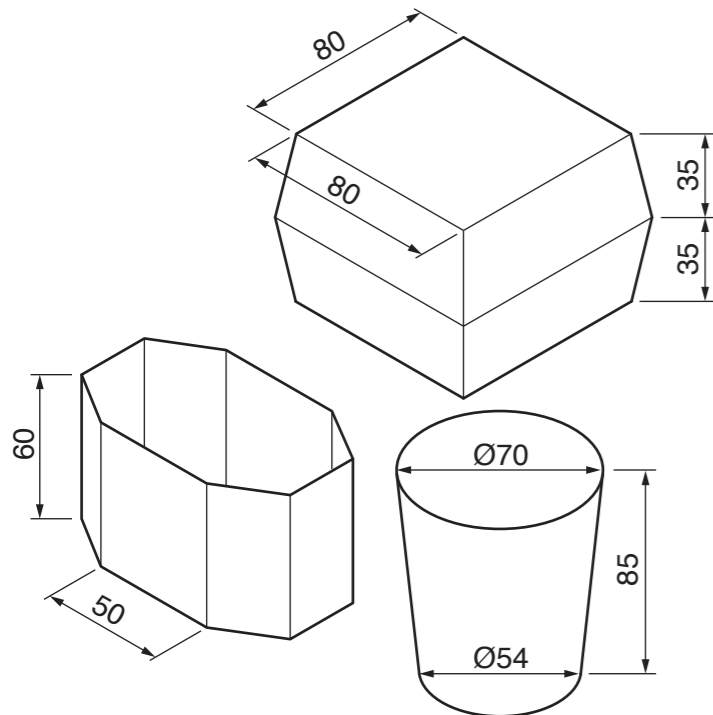
(a) Complete the plan view of the snack tray in the space provided by drawing:

- (i) the tray outline; [2]
- (ii) the eight sided hole for fries; [8]
- (iii) the square hole for the burger box; [2]
- (iv) the circular hole for the drink. [1]



The individual items that go into the snack tray are shown below.

(b) In the space below, complete the front view of the snack tray with the individual items in the tray. Include hidden detail. [12]

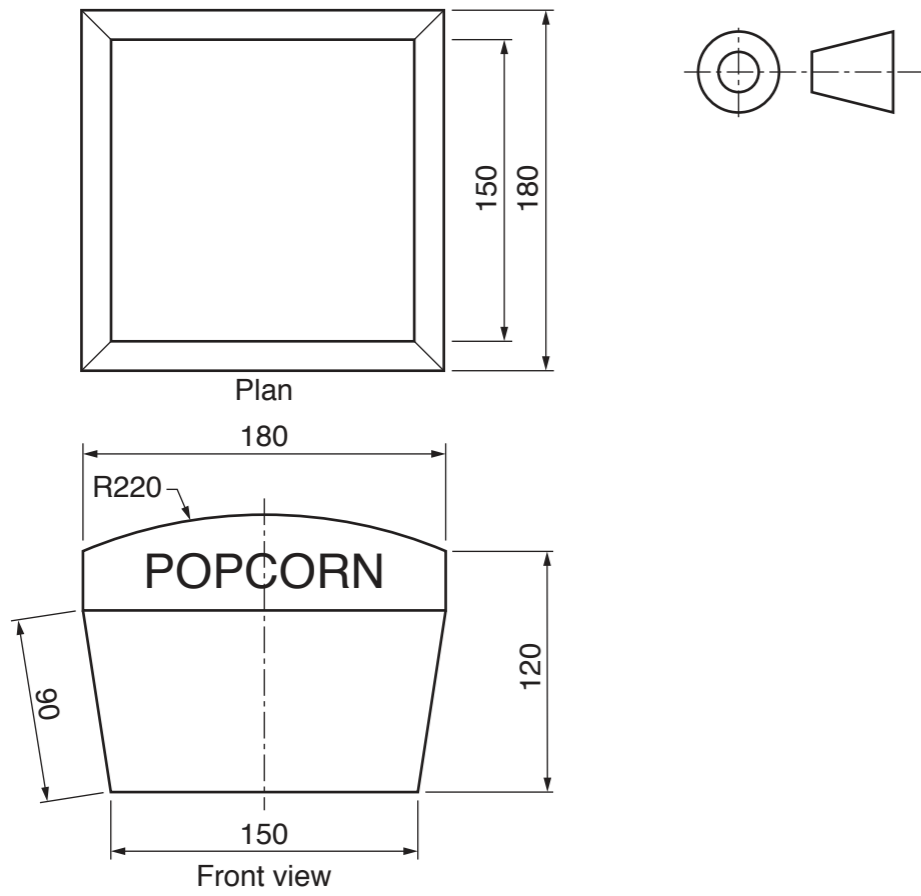


For
Examiner's
use

0445/22 May/June 2018 **1 hour**
© UCLES 2018 DC (KN/SW) 146124/2

Centre Number Candidate Number Candidate Surname Other Names **[Turn over**

B5 Orthographic views of a popcorn box are shown below.



(a) In the space below, complete the isometric view of the popcorn box to a scale of 1:3.

[14]

POPCORN

(b) In the space below, complete the half-size development net of the popcorn box.

[11]

